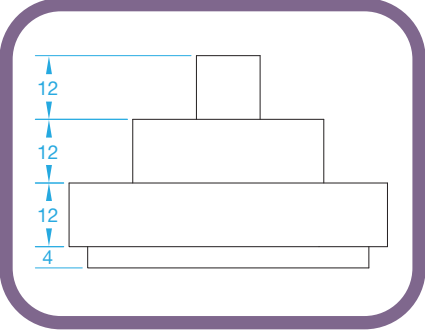
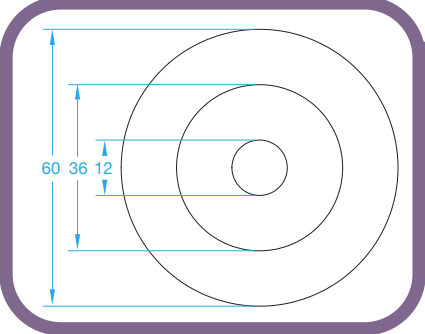
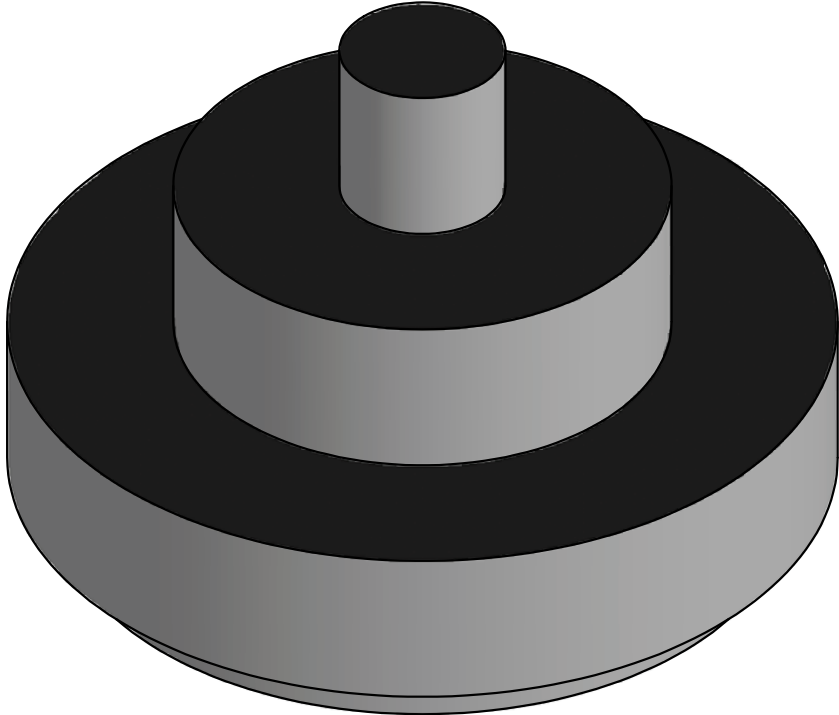




# Advantage Custom Circular Dry Floral Merchandiser



### Features and Benefits

- 3 tiered circular floral merchandising
- Quality high pressure laminate exterior
- 1" McCue cart guard bumper

### Options

- Custom diameters and configurations/shapers built to your specifications
- 1"-3" front fascia cart guard bumper
- Various exterior body color options