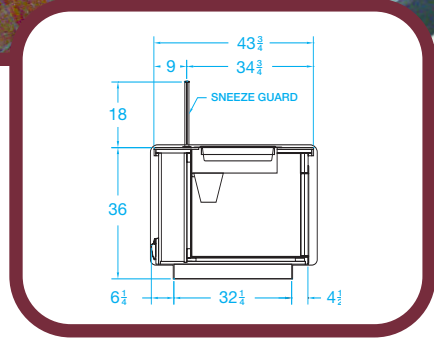




Advantage Refrigerated Food Bar

ARFB



Features and Benefits

- Remote refrigeration
- Corian countertop
- Refrigerated lower storage
- Sneeze guard assembly
- Sliding glass insulated doors
- Condiment pans/trays

Options

- Stainless steel and laminated tops
- 1", 2", or 3" cart bumper with various color options
- Birch or maple wood cladding
- Powder coated body cladding
- Sizes and configurations built to your specifications

