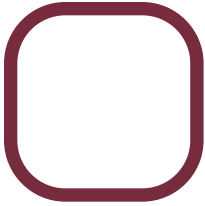




SALAD & SOUP BAR Merchandisers

A D V A N T A G E
C U S T O M
F I X T U R E S



Advantage Custom Fixtures

ABOUT US

Advantage Custom Fixtures is a manufacturer of quality OEM refrigerated and non-refrigerated custom fixtures for the supermarket industry.

For produce, cheese/deli, floral, and specialty needs, we have the technology and expertise to build each fixture to high quality standards and with your specific requirements in mind. Advantage Custom Fixtures has over 100 years of collective experience in display manufacturing and design. We incorporate 3D modeling and CNC processing to create displays that will suit your application in function and form.

It is our goal to provide you with a specialized product that both satisfies your custom needs and exceeds your expectations.

Thank you for considering Advantage Custom Fixtures as your quality fixture provider.

Sincerely,

Glenn M. Viaes

Director of Business Development

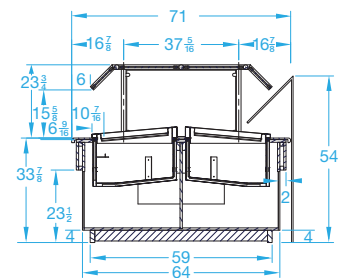


Contact
626-457-9726



Advantage Refrigerated Salad Bar

ARSB



Features and Benefits

- Corian Countertop
- Refrigerated airflow over products
- Refrigerated lower side storage
- Dry under-counter storage
- Sneeze guard assembly
- Self-closing solid insulated doors
- Hot soup wells
- Condiment pans/trays

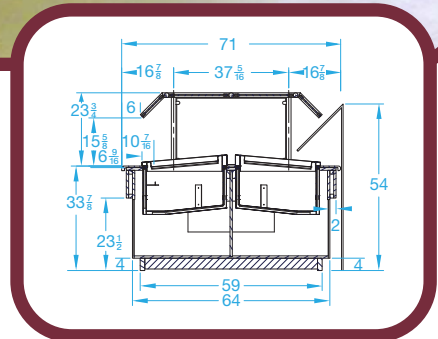
Options

- Stainless steel and laminated tops
- 1", 2", or 3" cart bumper with various color options
- Birch or maple wood cladding
- Powder coated body cladding
- Sizes and configurations built to your specifications



Advantage Refrigerated Salad and Soup Bar

ARSSB



Features and Benefits

- Fresh salad/olives and condiments conveniently accessible from all sides
- ADA compliant solid surface countertop
- Remote refrigeration
- Refrigerated airflow over product area as well as under food pans
- Standard 12" x 20" refrigerated cold wells
- Standard 11 quart hot soup wells with sneeze guard assembly
- Dry under-counter storage
- Sneeze guard assembly with tempered glass
- Stainless steel or NSF certified powder coated interior
- Solar digital thermometer
- 2" McCue cart guard bumper

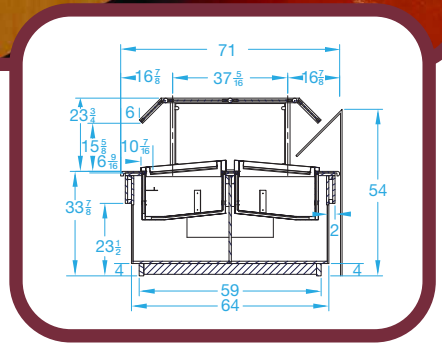
Options

- Self-Contained
- Cantilever sneeze guard assembly
- ADM NSF style sneeze guard assembly with tilt up front glass for serviceability
- Lighting
- Under counter refrigerated storage with insulated doors
- 6' and custom widths
- Custom lengths and shapes
- Various exterior body color options
- Hot foods and hot soup options
- Stainless steel or plastic food pans



Advantage Refrigerated Salad and Soup Bar

ARSSB



Features and Benefits

- Corian Countertop
- Refrigerated airflow over products
- Refrigerated lower side storage
- Dry under-counter storage
- Sneeze guard assembly
- Self-closing solid insulated doors
- Hot soup wells
- Condiment pans/trays

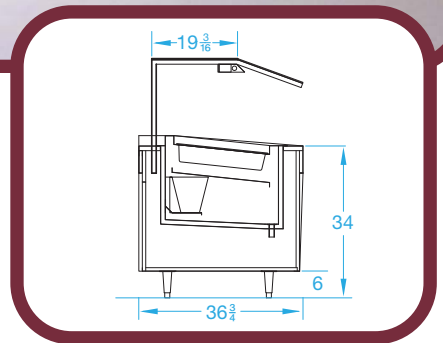
Options

- Stainless steel and laminated tops
- 1", 2", or 3" cart bumper with various color options
- Birch or maple wood cladding
- Powder coated body cladding
- Sizes and configurations built to your specifications



Custom Advantage Refrigerated Salad and Soup Bar

ARSSB



Features and Benefits

- Custom configurations
- Self service from one side or 2 sides
- Fresh salad/olives and condiments conveniently accessible from all sides
- ADA compliant solid surface countertop
- Remote refrigeration
- Refrigerated airflow over product area as well as under food pans
- Standard 12" x 20" refrigerated cold wells
- Standard 11 quart hot soup wells with sneeze guard assembly
- Dry under-counter storage
- Sneeze guard assembly with tempered glass
- Stainless steel or NSF certified powder coated interior
- Solar digital thermometer
- 2" McCue cart guard bumper

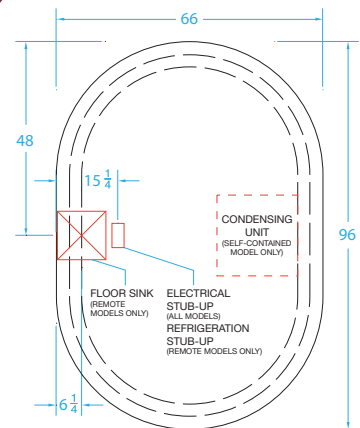
Options

- Self-Contained
- Cantilever sneeze guard assembly
- ADM NSF style sneeze guard assembly with tilt up front glass for serviceability
- Lighting
- Under counter refrigerated storage with insulated doors
- 36" and custom widths
- Custom lengths and shapes
- Various exterior body color options
- Hot foods and hot soup options
- Stainless steel or plastic food pans



Advantage Refrigerated Salad Antipasto Soup Bar

ARSASB



Features and Benefits

- Dupont™ Corian®, solid surface countertop
- Remote refrigeration system
- Refrigerated airflow over product
- Below counter storage
- Sneeze guard assembly
- Condiment wells

Options

- Stainless steel or laminated tops
- Hot soup well(s)
- Self-contained refrigeration system
- 1", 2", or 3" cart bumper
- Condiment pan(s)
- Cup holder(s)
- Refrigerated below counter storage with insulated doors
- Lighted sneeze guard
- Sizes and configurations built to your specifications



Advantage Refrigerated Olive Display – Self-Contained AROLIV-SC

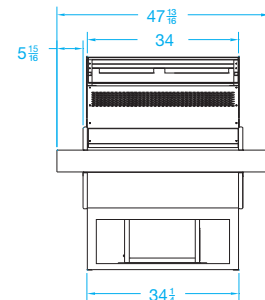
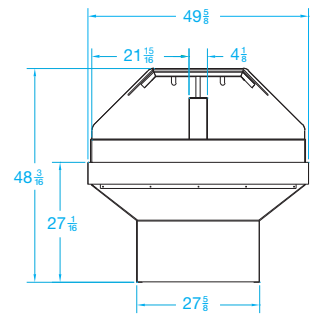


Features and Benefits

- Self-contained refrigeration
- Copper tubing and aluminum fin coil construction
- Solid steel base construction
- Stainless steel deck pan design for easy access to 115v. fan motors and drain
- Stainless steel interior
- Solar digital thermometer
- Wood exterior cladding
- T-5 canopy lighting
- Tempered glass sneeze guard
- Container holder on each end
- Painted metal body

Options

- Handrail height variations
- 1", 2", or 3" cart bumper with various color options
- Wood or powder coated body cladding
- Interior powder coated high-gloss black or white
- Price tag molding
- Standard lengths: 4', 6', and 8'





Advantage Refrigerated Olive Cart – Self-Contained

AROLIVECRT-SC

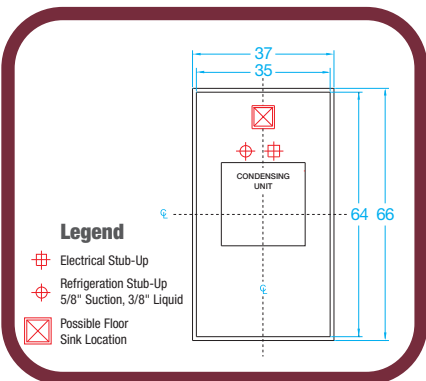
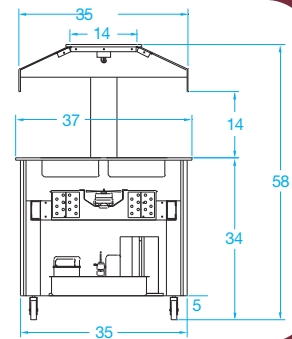


Features and Benefits

- Self-contained refrigeration
- Copper tubing and aluminum fin coil construction
- Solid steel base construction
- Lighted Canopy
- Stainless Steel condiment pans
- Acrylic sneeze guard
- Condensing unit
- Locking casters
- Birch hardwood exterior trim
- Exterior storage compartment
- Container and lid holder

Options

- Various lengths and widths
- Top Shelf: available in custom widths and lighting options
- Custom body and cladding colors: high quality powder coating
- Bumper colors and sizes 1" - 3" widths





A D V A N T A G E
C U S T O M
F I X T U R E S
